

16. Components for power plant cooling pumps

Stator bodies of cooling pumps for nuclear power plants are subject to strong vibrations, caused through turbulences of the water. These parts are geometrically extraordinarily complex and show a plurality of notches and critical cross-sections. Fig. 17-1 and, Fig. 17-2, show a selection of treatment places and show the tools in their different working positions. The treatment of the various working sections is executed subsequently on the lathe.

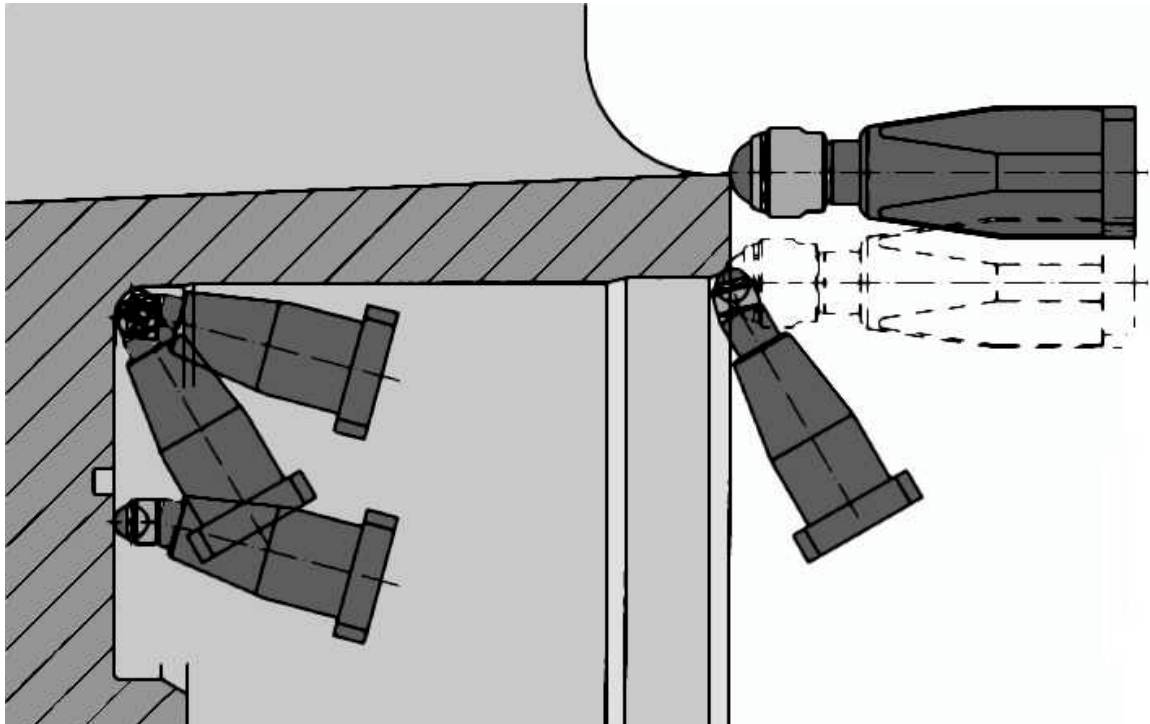


Fig. 17-1: deep rolling of cooling pump components

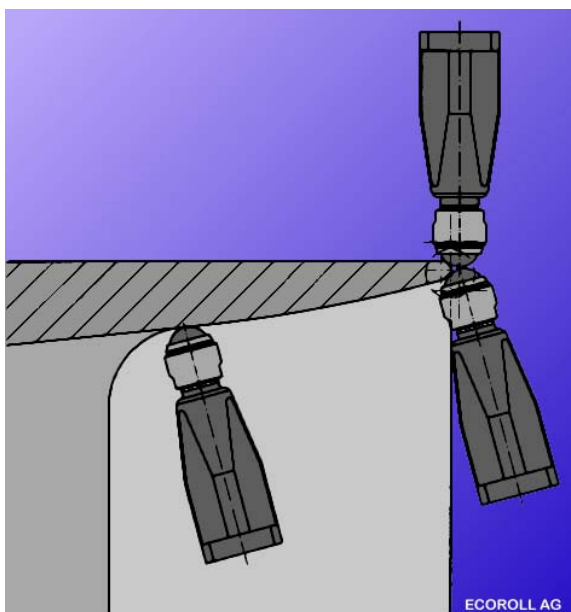


Fig. 17-2: deep rolling of cooling pump components